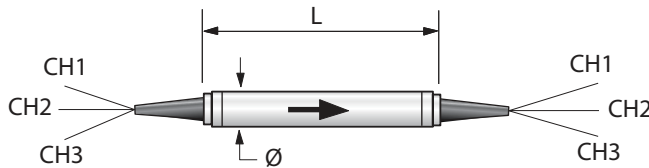


POLARIZATION INSENSITIVE FIBER ISOLATOR ARRAY (SINGLE STAGE)

OISA Series

Product Description

Oplink's single-stage, multi-port isolator is an array device with the identical package size of a single-port isolator. It offers port options of dual or triple ports on both input and output sides. The Oplink isolator array minimizes back reflection and back scattering in the reverse direction for any state of polarization. It features low cost with high performance including low insertion loss, low channel cross talk, high return loss, low polarization dependent loss (PDL) and low polarization mode dispersion (PMD). Oplink's innovative array solution provides significant space savings in EDFA array or multi stage EDFA applications.



Performance Specification

OISA Series	Premium	Grade A	Unit
Operating Wavelength Range	1310 ± 15 or 1480 ± 15 or 1528 ~ 1564 or 1570 ~ 1605		nm
Insertion Loss ^[1]	< 0.6	< 0.8	dB
Isolation (over operating wavelength range, 0~70°C, all SOP)	> 22	> 21	dB
Polarization Dependent Loss	< 0.1	< 0.15	dB
Polarization Mode Dispersion	(Standard)	< 0.25	ps
	(Low PMD)	< 0.05	ps
Channel Crosstalk	> 55		dB
Return Loss	> 50		dB
Maximum Power Handling	< 2		W
Fiber Type	Corning SMF-28		
Fiber Jacket	250µm Bare Fiber		
Operating Temperature	0 to +70		°C
Storage Temperature	-40 to +85		°C
Package Dimensions ^[3]	(Ø) 5.5 x (L) 34.0		mm
Pigtail Coloring (both sides)	Ch.1 = Red, Ch.2 = Black, Ch.3 = clear		

Features

- ◆ Wide Operating Wavelength Range and Temperature Range
- ◆ Low Insertion Loss
- ◆ High Isolation
- ◆ Ultra Low PDL & Option for Ultra Low PMD
- ◆ Highly Stable & Reliable
- ◆ Epoxy-free Optical Path
- ◆ Compact Package Size

Applications

- ◆ Fiberoptic Amplifiers
- ◆ CATV Fiberoptic Links
- ◆ WDM Systems
- ◆ Fiberoptic Instruments
- ◆ Transmitters and Fiber Lasers
- ◆ Laboratory R&D
- ◆ Arrayed Modules

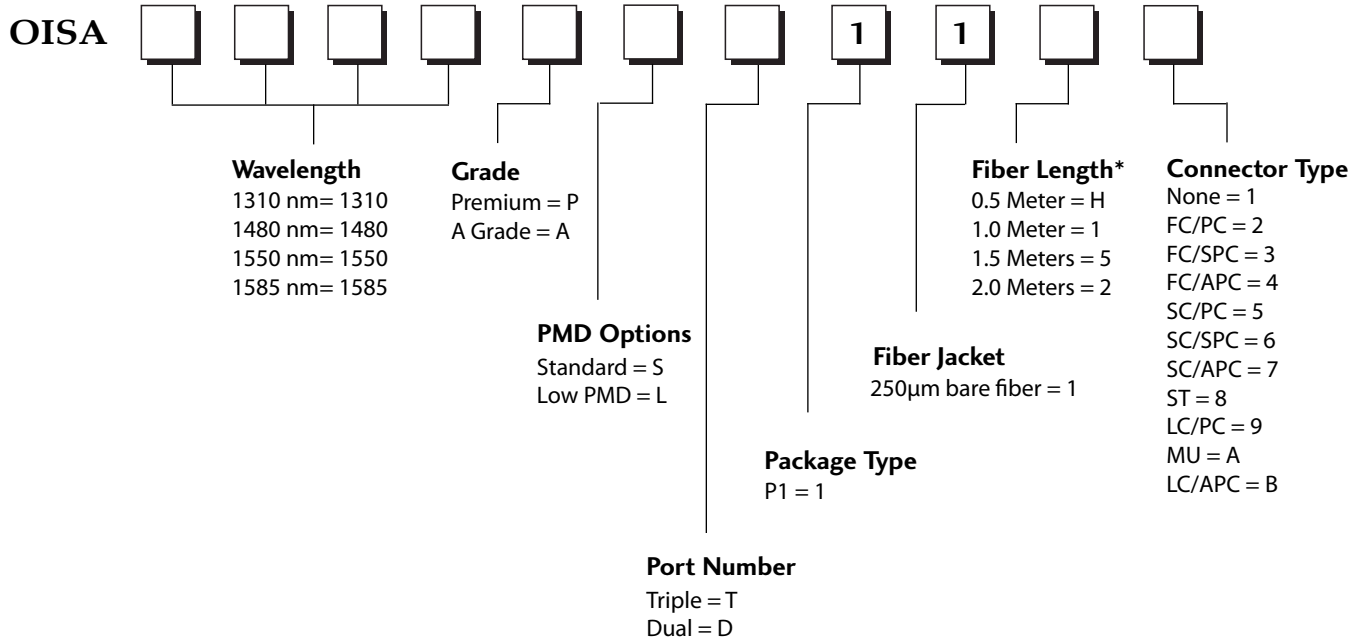
[1] The maximum IL is under all states of polarization and within the full operating temperature and wavelength ranges specified.

[2] All the parameters are excluding connectors.

[3] The mechanical tolerance should be +/-0.2mm on all package dimensions unless otherwise custom specified.

Ordering Information

Oplink can provide a remarkable range of customized optical solutions. For detail, please contact Oplink's OEM design team or account manager for your requirements and ordering information (510) 933-7200.



* The tolerance of fiber length is +/-0.1m. 1 meter is standard. The lead-time for special fiber length will be longer.